

The "High Reliability" AC To DC Modular Multiple Output Power Supplies



◆ QUASI-MIL

◆ MILITARY

AC500 MODULAR MULTIPLE OUTPUT SERIES FEATURES

- Current Mode Control
- Environment Per MIL-STD-810
- High Efficiency > 80%
- Isolation: -500V Between Input, Output & Case
- Single or Three Phase Input
- Operating Temp: -55°C To + 85°C
- Current Limiting On Outputs
- Remote Sense On Outputs
- Thermal Protection
- EMI Filtering Per MIL-STD-461
- High Switching Frequency
- In-Rush Current Limit
- Isolated Outputs
- Noise, Less Than 2.00%
- O.V.P. On Outputs
- Regulation, Less Than 1.00%
- Remote Turn-On
- Short Circuit Protection

CENTURY  **ELECTRONICS**

DEDICATED TO HIGH RELIABILITY

5701 Lindero Canyon Road, 1-100
Westlake Village, California 91362
Website: www.centuryele.com

Phone: (818)706-8224
Fax: (818)706-8226
E-mail: centuryele@aol.com

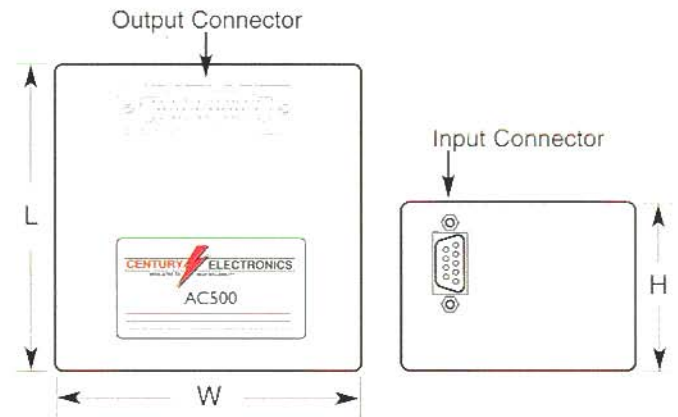
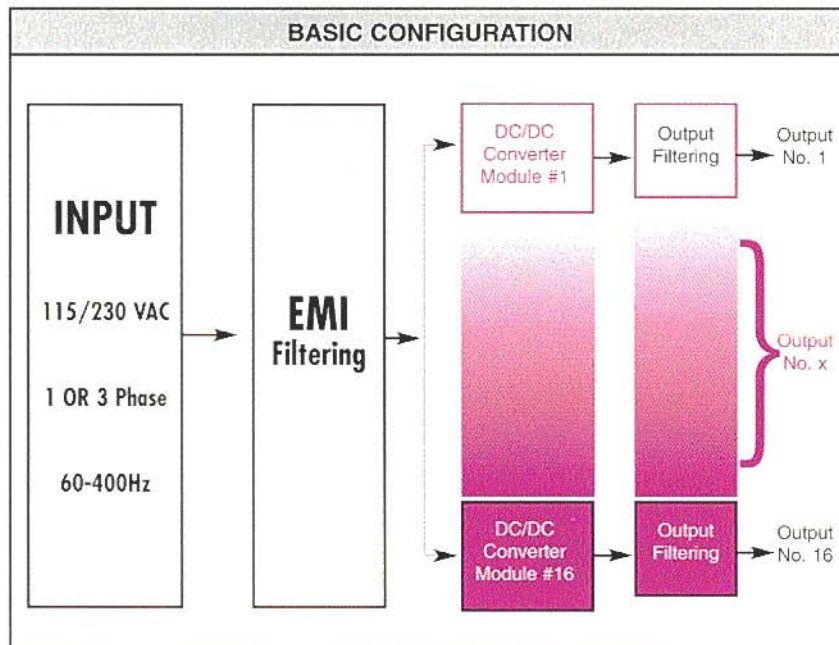
AC500 Series

AC To DC Modular Multiple Output Power Supplies

The **High Reliability Century Electronics AC500 AC to DC Modular Multiple Output Power Supplies** incorporate standard modular outputs, ranging from 3.00V to 30.00V at 0.50A to 10.00A, permitting a customized multiple output power supply at "COTS" pricing. These highly flexible and successful units are offered in Quasi-MIL and Full-MIL versions being fully designed

to NAVMAT P4855-1A. The **AC500 Series AC to DC Modular Multiple Output Power Supplies** are the quickest answer in meeting your "custom requirements" when hardware must be completed and delivered "yesterday".

| STANDARD MODULAR DC OUTPUTS | | | | | | | |
|-----------------------------|---------|--------------------|---------|--------------------|---------|--------------------|---------|
| VOLTAGE (+) OR (-) | CURRENT | VOLTAGE (+) OR (-) | CURRENT | VOLTAGE (+) OR (-) | CURRENT | VOLTAGE (+) OR (-) | CURRENT |
| 3.0V | 0.8A | 5.0V | 2.0A | 9.5V | 1.0A | 20.0V | 2.5A |
| 3.0V | 1.2A | 5.1V | 4.2A | 10.6V | 1.8A | 28.0V | 2.1A |
| 3.0V | 3.3A | 5.1V | 3.7A | 15.0V | 0.6A | 28.0V | 7.0A |
| 3.0V | 7.1A | 5.2V | 3.5A | 15.0V | 1.7A | 28.0V | 10.0A |
| 3.0V | 10.0A | 5.2V | 3.7A | 15.0V | 2.0A | 30.0V | 0.5A |
| 5.0V | 0.5A | 5.2V | 5.8A | 15.8V | 2.0A | 30.0V | 4.2A |
| 5.0V | 0.7A | 5.4V | 6.0A | 18.0V | 6.0A | | |



| MECHANICAL TABLE | | | | | |
|------------------|----------------|------------------|-------|-------|--------------|
| NO. OF OUTPUTS | STANDARD CASES | DIMENSIONS (In.) | | | WEIGHT (LBs) |
| | | L | W | H | |
| Up to 5 | I | 6.500 | 7.125 | 3.400 | 5.0 |
| Up to 9 | II | 7.250 | 7.000 | 3.400 | to |
| Up to 16 | III | 7.000 | 7.000 | 3.250 | 6.5 |

SPECIFICATIONS

| | | | | | |
|---------------------------|-----------------|---------------------------|--------------------|--------------------------------|----------------|
| <i>Altitude:</i> | MIL-STD-810 | <i>Inspection System:</i> | MIL-I-45208 | <i>Soldering:</i> | ANSI-J-STD-001 |
| <i>Design Guidelines:</i> | NAVMAT-P4855-1A | <i>Marking:</i> | MIL-STD-130 | <i>Transformers:</i> | MIL-T-27 |
| <i>EMI:</i> | MIL-STD-461/2 | <i>Quality Program:</i> | MIL-Q-9858/ISO9001 | <i>Vibration:</i> | MIL-STD-810 |
| <i>Humidity:</i> | MIL-STD-810 | <i>Reliability:</i> | MIL-HDBK-217 | <i>Workmanship/Guidelines:</i> | ANSI-J-STD-001 |
| <i>Input Transient:</i> | MIL-STD-704 | <i>Shock:</i> | MIL-STD-810 | | |

Century Electronics is a Custom, Semi-Custom and Standard Designer and Manufacturer of High Reliability Military, Aerospace, Industrial and Space Application Power Supplies and Converters. Century offers a complete line of MIL-Environment, Industrial, Space and Custom Power Supplies. We Invite Your Inquiry and Specifications Which Will Receive Immediate Attention.

All specifications subject to change without notice



5701 Lindero Canyon Road, 1-100
Westlake Village, California 91362
Phone: (818)706-8224 • Fax: (818)706-8226
www.centuryele.com • centuryele@aol.com

AC500 11/00